

Aritco 4000



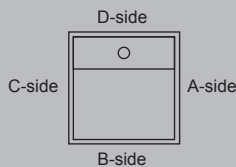
Aritco 4000 - our smallest home lift

The lift has been designed to meet all requirements for comfort, space and design. The lift is available in different sizes, with an option to personalise it with details such as glass walls, a range of varied colours and different materials.

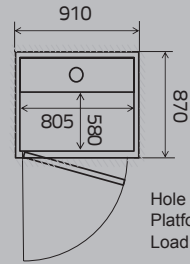
Several advantages offered by Aritco 4000:

- Design, sizes and options created for a home environment
- Minimum interventions in the house
- 95% recyclable materials
- 'A' rated energy consumption according to VDI4707
- Patented screw/nut technology (no oil that can leak)
- The lowest maintenance and operating costs on the market

Aritco 4000

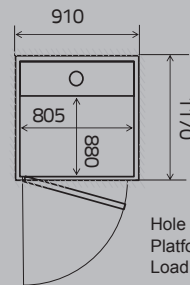


580 x 805



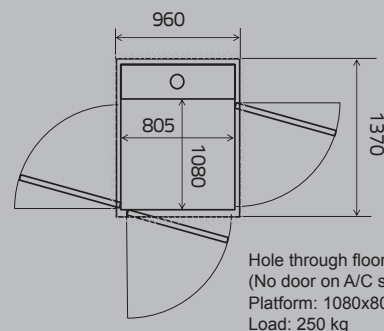
Hole through floor: 870x910 mm
Platform: 580x805 mm
Load: 250 kg

880 x 805



Hole through floor: 1170x910 mm
Platform: 880x805 mm
Load: 250 kg

1080 x 805



Hole through floor: 1370x960 mm
(No door on A/C side: 1370x910)
Platform: 1080x805 mm
Load: 250 kg

Dimensions

Platform width.....580-1080 mm
Platform length805 mm
Travel height250-13000 mm

Hole through floor width..... 870-1370 mm
Hole through floor length 910-960 mm
Top height2300 mm

Height of door opening ..1800, 1900, 2000 mm
Width of door opening800, 900 mm

Drive system: Patented screw/nut system

Rated speed: max 0.15 m/s

Platform control: "Hold to run", the button has to be kept pressed during the ride

Landing control: One-touch call

Technical compliance: European Machinery Directive 2006/42/EC
European standard EN 81-41

Rated load: 250 kg / 2 persons

Number of stops: max 6

Number of doors: max 2 doors per floor

Pit: 50 mm (no pit is required when there is a threshold)

Environment: Indoors

Power supply: 1-phase 230V 50Hz/6.6A/16A slow

Emergency lowering: Battery-powered

Control voltage: 24 V

Motor: 1.5kW

For more information, please, refer to our product catalogue or visit our website.

Due to the continuous product development at the company, the information may change without prior notice.